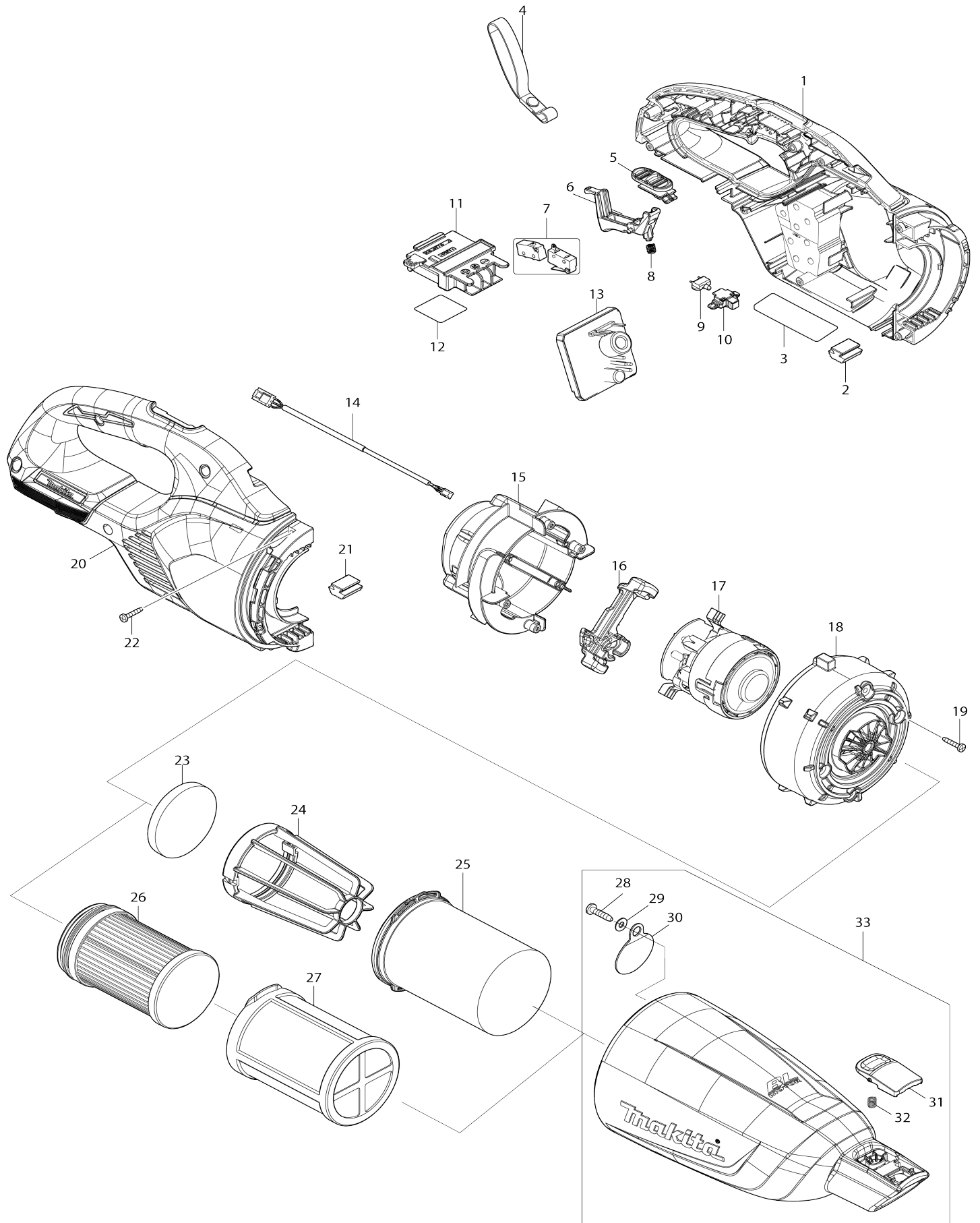


Model No.DCL283F CORDLESS CLEANER



Model No.DCL283F CORDLESS CLEANER

| Item No. | Parts No. | Description |
|----------|-----------|--------------------------|
| 001A | 183Y61-6 | HOUSING SET |
| C10 | 263005-3 | RUBBER PIN 6 |
| C20 | 422974-9 | SPONGE SHEET |
| 001A | | INC. 2,20,21 |
| 001B | 183Y60-8 | HOUSING SET |
| C10 | 263005-3 | RUBBER PIN 6 |
| C20 | 422974-9 | SPONGE SHEET |
| 001B | | INC. 2,20,21 |
| 002 | 422460-0 | RUBBER PLATE |
| 003 | 8588D6-6 | DCL283F NAME PLATE |
| 004 | 163400-6 | HANDSTRAP |
| 005 | 413M39-6 | SLIDE SWITCH |
| 006 | 459324-5 | SWITCH LEVER |
| 007 | 632N57-3 | SWITCH UNIT |
| 008 | 232485-4 | COMPRESSION SPRING 5 |
| 009 | 620E82-2 | LED CIRCUIT |
| 010 | 141H09-2 | LED CASE COMPLETE |
| 011 | 643874-2 | TERMINAL |
| 012 | 8588E4-7 | DCL283F SERIAL NO. LABEL |
| 013 | 620L21-4 | CONTROLLER |
| C10 | 688163-8 | LINE FILTER |
| 014 | 632S32-9 | LEAD UNIT |
| 015 | 141E55-7 | MOTOR COVER R COMPLETE |
| C10 | 263002-9 | RUBBER PIN 4 |
| 016 | 422723-4 | MOTOR COVER SEAL |
| 017 | 629B87-1 | MOTOR ASSEMBLY |
| 018 | 413645-9 | MOTOR COVER F |
| 019 | 266429-2 | TAPPING SCREW 3X16 |
| 020A | 183Y61-6 | HOUSING SET |
| C10 | 263005-3 | RUBBER PIN 6 |
| C20 | 422974-9 | SPONGE SHEET |
| 020A | | INC. 1,2,21 |
| 020B | 183Y60-8 | HOUSING SET |
| C10 | 263005-3 | RUBBER PIN 6 |
| C20 | 422974-9 | SPONGE SHEET |
| 020B | | INC. 1,2,21 |
| 021 | 422460-0 | RUBBER PLATE |
| 022 | 266429-2 | TAPPING SCREW 3X16 |
| 023 | 422268-2 | SPONGE SHEET 57 |
| 024 | 458467-0 | STAY |
| 025 | 459325-3 | EASY SHAKE OFF FILTER B |
| 028 | 266326-2 | TAPPING SCREW 4X18 |
| 028-1 | 251530-6 | TAPPING SCREW 4X18 |
| 029 | 941051-3 | FLAT WASHER 4 |
| 030 | 424208-6 | VALVE |
| 031 | 413F33-6 | BUTTON C |
| 032 | 232485-4 | COMPRESSION SPRING 5 |
| | | |

| | | |
|-------|----------|-------------------------------|
| 033A | 136964-3 | CAPSULE ASSEMBLY |
| 033A | | INC. 28-32 |
| 033A | | INC. 28,30-32 |
| 033B | 136963-5 | CAPSULE ASSEMBLY |
| 033B | | INC. 28-32 |
| 033B | | INC. 28,30-32 |
| A01A | 127827-4 | NOZZLE ASSEMBLY |
| C10 | 268208-4 | PIN 3 |
| C20 | 451410-8 | ROLLER |
| C30 | 422963-4 | WIPER |
| A01B | 127825-8 | NOZZLE ASSEMBLY |
| C10 | 451410-8 | ROLLER |
| C20 | 268208-4 | PIN 3 |
| C30 | 422963-4 | WIPER |
| A02A | 413859-0 | SASH NOZZLE |
| A02B | 413770-6 | SASH NOZZLE |
| A03A | 459355-4 | NOZZLE HOLDER |
| A03B | 459354-6 | NOZZLE HOLDER |
| A04A | 459356-2 | PIPE |
| A04B | 459353-8 | PIPE |
| F05 | 191D71-3 | CYCLONE ATTACHMENT SET (LOCK) |
| F07 | 191D73-9 | CYCLONE ATTACHMENT SET (LOCK) |
| F09 | 191D75-5 | CYCLONE ATTACHMENT SET |
| F10 | 191D76-3 | STRAIGHT PIPE SET 340 |
| F11 | 191D77-1 | STRAIGHT PIPE SET 340 |
| F12 | 191D78-9 | STRAIGHT PIPE SET 340 |
| F14 | 191D80-2 | STRAIGHT PIPE SET 320 |
| F16 | 191E30-3 | FLEXIBLE HOSE SET(LOCK) |
| F17 | 191X06-4 | NOZZLE ASSEMBLY SET |
| F18 | 1910D3-4 | CYCLONE UNIT SET |
| F19 | 1910D4-2 | CYCLONE UNIT SET |
| F20 | 1910D5-0 | CYCLONE UNIT SET |
| F22 | 1911L1-0 | CLEANER STAND SET |
| F23 | 198538-8 | SHELF BRUSH SET28 BLU |
| F24 | 198540-1 | SHELF BRUSH SET28 BLK EU |
| F25 | 198545-1 | FLEXIBLE HOSE SET28(BLU) |
| F26 | 198547-7 | FLEXIBLE HOSE SET28(BLK)EU |
| F27 | 198553-2 | ROUND BRUSH SET 28 BLU |
| F28 | 198555-8 | ROUND BRUSH SET 28 BLK EU |
| F29 | 198751-8 | PRE FILTER SET EU |
| F29-1 | 1914X5-4 | PRE FILTER SET |
| F30 | 198753-4 | EASY SHAKE OFF FILTER SET |
| F31 | 198868-7 | FLEXIBLE HOSE SET28(WHI) |
| F32 | 198873-4 | SHELF BRUSH SET28 WHI |
| F33 | 198878-4 | ROUND BRUSH SET 28 WHI |
| F34 | 198915-4 | FILTER SET |
| F35 | 198919-6 | LONG SASH NOZZLE SET 28 WHI |
| F36 | 198990-0 | LONG SASH NOZZLE SET 28 BLU |
| F37 | 198992-6 | LONG SASH NOZZLE SET 28 BLK |
| F38 | 199038-1 | SEAT NOZZLE SET 28 WHI |

| | | |
|-------|----------|------------------------|
| F39 | 199039-9 | SEAT NOZZLE SET 28 BLK |
| F40 | 199041-2 | SEAT NOZZLE SET 28 BLU |
| F41 | 199439-3 | CREVICE NOZZLE 415 SET |
| F42 | 199491-1 | CYCLONE ATTACHMENT SET |
| F44 | 199901-8 | TOOL BAG SET |
| F46 | 199971-7 | HOLDER SET |
| F47-1 | 1914X6-2 | FILTER H SET |
| F94 | 1915A8-3 | FILTER H KIT SET |
| C10 | 4131K6-6 | PRE-FILTER |
| C20 | 4131K7-4 | FILTER H |